

A. L. LEE CORPORATION

LEADER IN SPECIALTY UNDERGROUND MINING EQUIPMENT

WWW.ALLEECORP.COM

DIESEL MINI-TRAC

Features

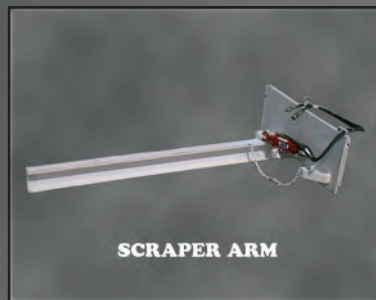
- * MSHA Approved Diesel Engine
- * Four Wheel Drive
- * Articulates And Oscillates
- * Ball Bearing Center Section
- * Planetary Torque Hubs
- * Hydraulic PTO
- * Adjustable Ground Clearance

Options

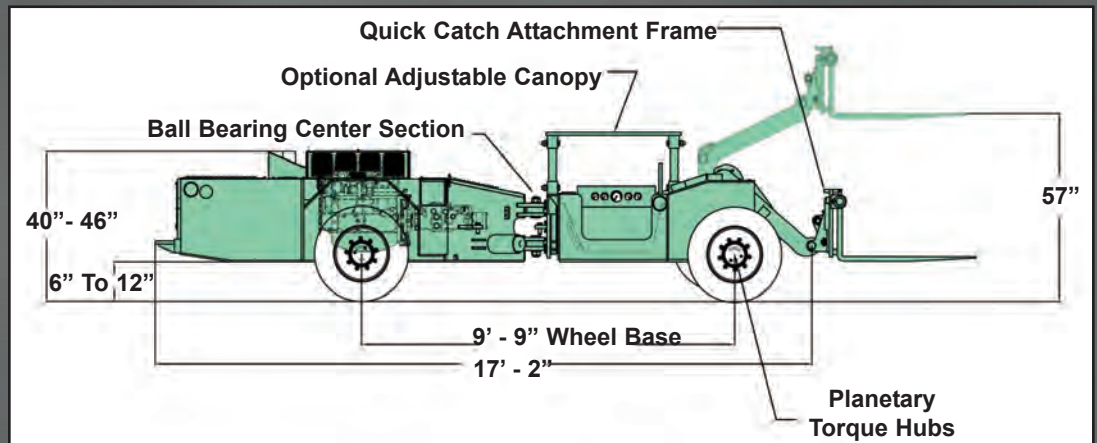
- * West Virginia Diesel Compliant
- * Certified Canopy



Accessories



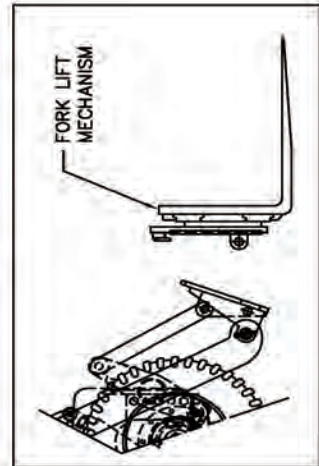
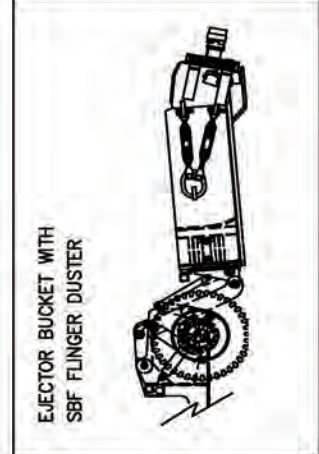
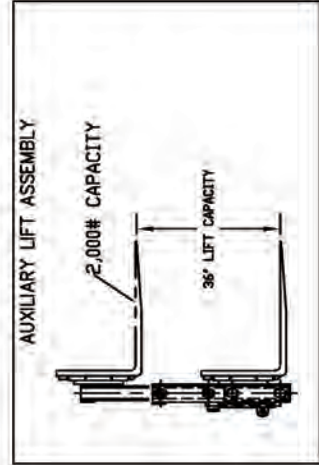
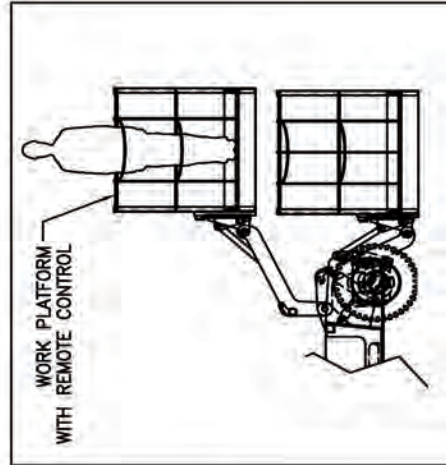
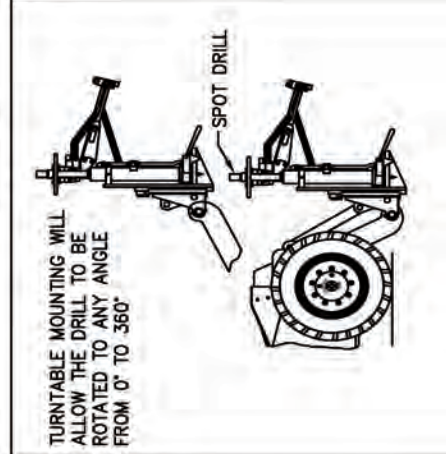
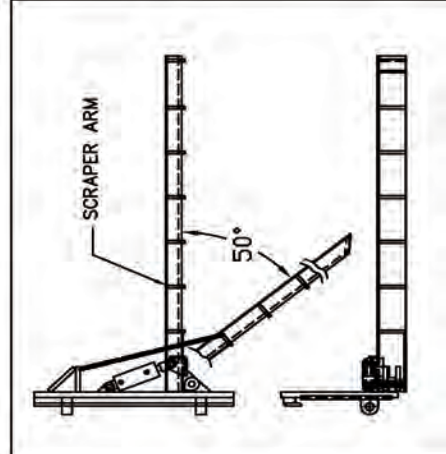
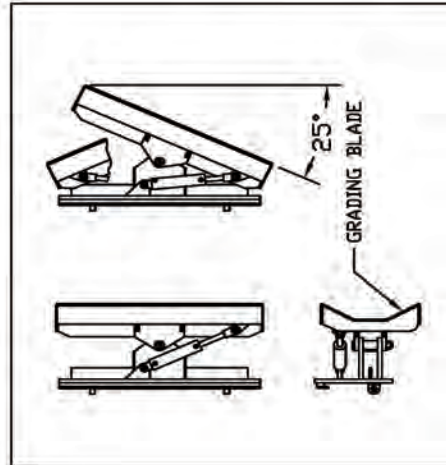
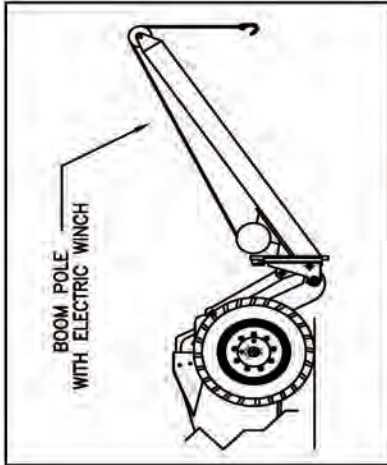
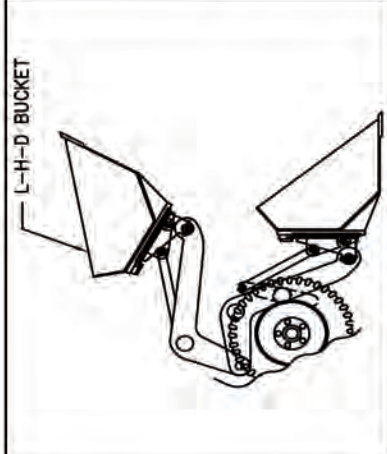
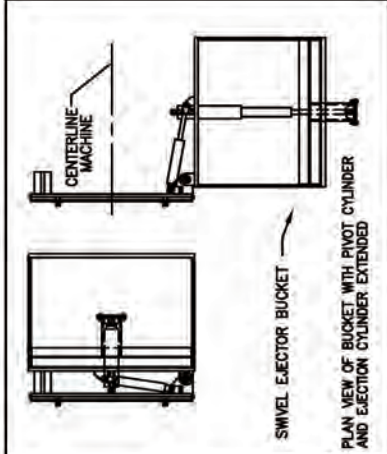
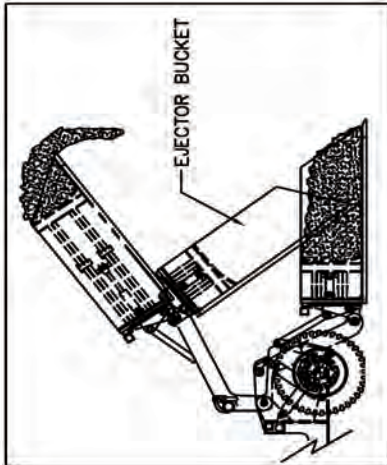
*MATERIAL HANDLING, CONSTRUCTION & CLEAN-UP
CUSTOM DESIGNED FOR YOUR APPLICATION!*



West Virginia
2075 Lester Highway
Lester, WV 25865
Phone: (304) 934-5361
Email: wva@alleecorp.com



Illinois
2304 Industrial Drive
Mt. Vernon, IL 62864
Phone: (618) 242-6065
Email: ill@alleecorp.com



MINI-TRACS & LEE-TRACS "QUICK CATCH" ACCESSORIES

Mt. VERNON DIVISION
 P.O. BOX 2370
 2304 INDUSTRIAL DRIVE
 Mt. VERNON IL 62864
 PHONE: (618) 242-6065
 FAX: (618) 242-6036



A. L. LEE

WEST VIRGINIA DIVISION
 P.O. BOX 99
 2075 LESTER HIGHWAY
 LESTER, WV 25865
 PHONE: (304) 934-5361
 FAX: (304) 934-5388