

A. L. LEE CORPORATION

LEADER IN SPECIALTY UNDERGROUND MINING EQUIPMENT

WWW.ALLEECORP.COM

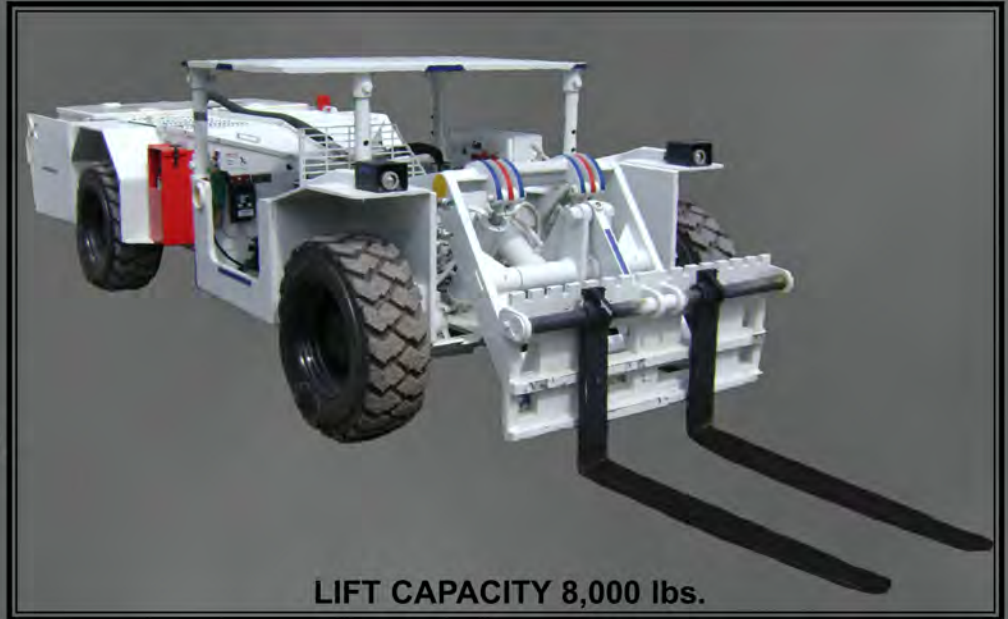
BATTERY MINI-TRAC

Features

- * 30 HP, 128 VDC Motor
- * Four Wheel Drive
- * Articulates And Oscillates
- * Ball Bearing Center Section
- * Planetary Torque Hubs
- * Hydraulic PTO
- * Adjustable Ground Clearance

Options

- * MSHA Approved (Explosion Proof)
- * Certified Canopy
- * Battery Change Out



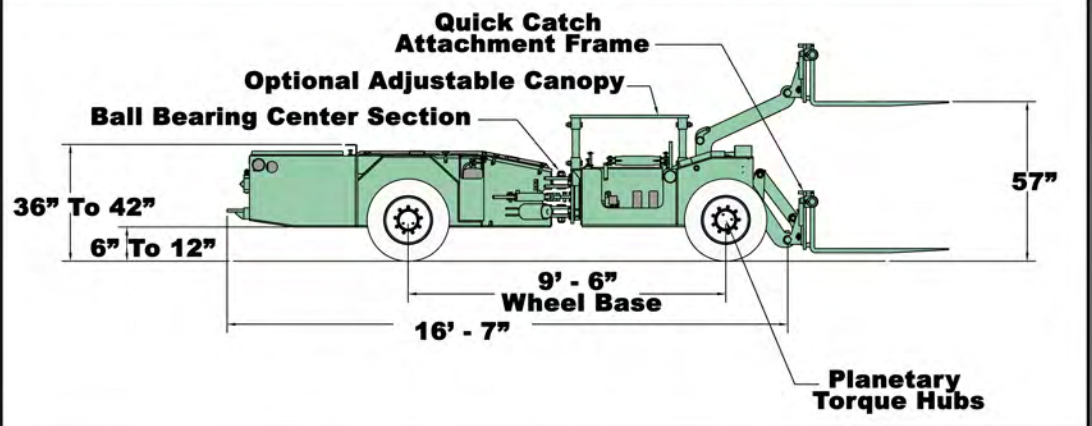
LIFT CAPACITY 8,000 lbs.

**MATERIAL HANDLING & CLEAN-UP
CUSTOM DESIGNED FOR YOUR APPLICATION!**

Accessories



Jib Crane



EJECTOR BUCKET



SPOT DRILL



SCRAPER ARM

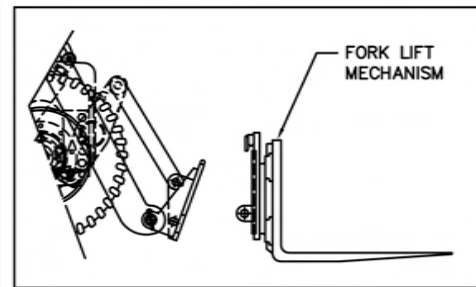
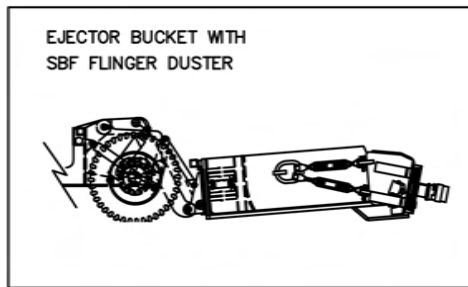
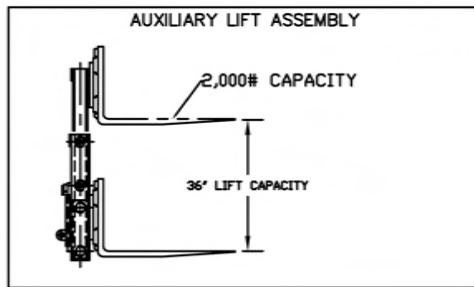
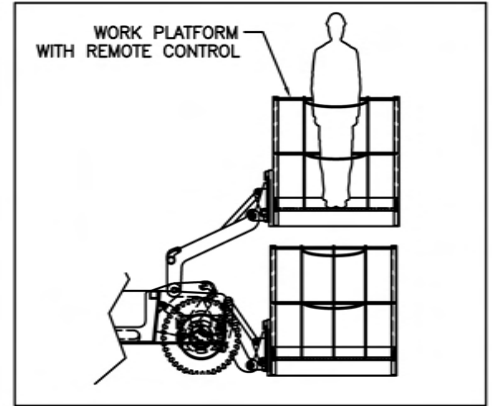
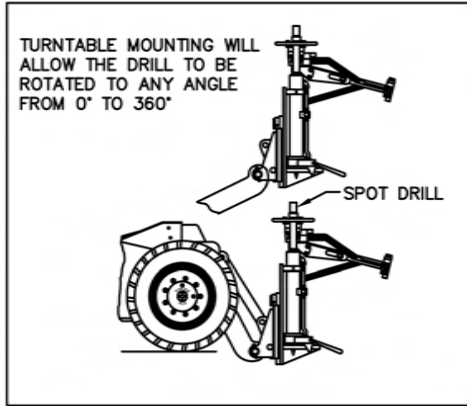
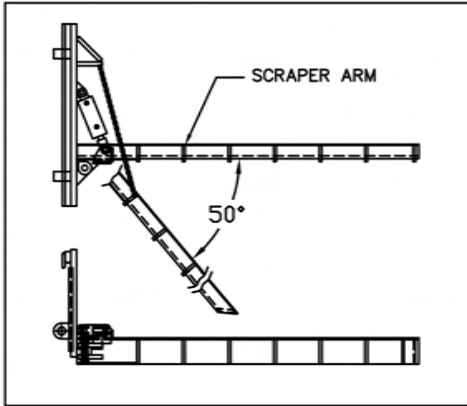
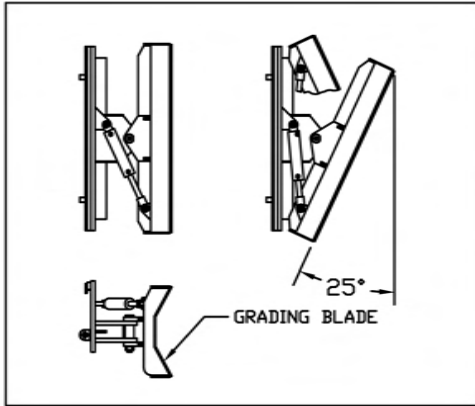
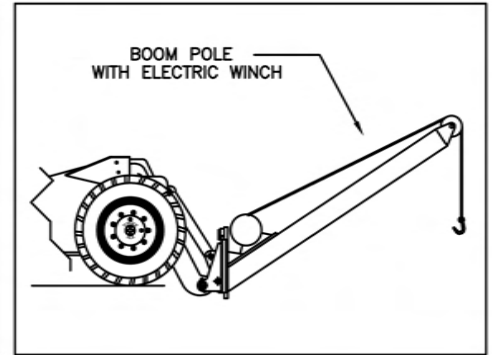
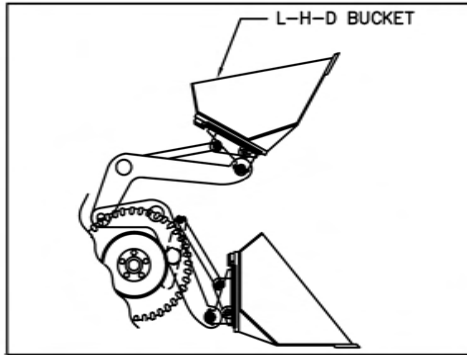
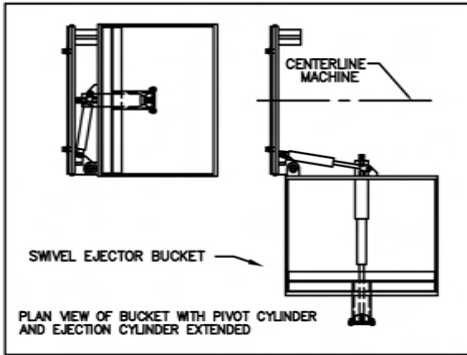
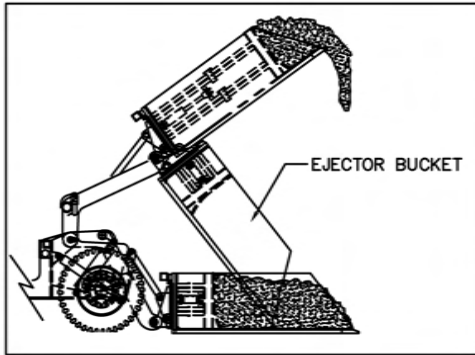


LHD BUCKET

West Virginia
2075 Lester Highway
Lester, WV 25865
Phone: (304) 934-5361
Email: wva@alleecorp.com



Illinois
2304 Industrial Drive
Mt. Vernon, IL 62864
Phone: (618) 242-6065
Email: ill@alleecorp.com



MINI-TRACS & LEE-TRACS "QUICK CATCH" ACCESSORIES

Mt. VERNON DIVISION
 P.O. BOX 2370
 2304 INDUSTRIAL DRIVE
 Mt. VERNON IL 62864
 PHONE: (618) 242-6065
 FAX: (618) 242-6036



A. L. LEE

WEST VIRGINIA DIVISION
 P.O. BOX 99
 2075 LESTER HIGHWAY
 LESTER, WV 25865
 PHONE: (304) 934-5361
 FAX: (304) 934-5388

S60058B4